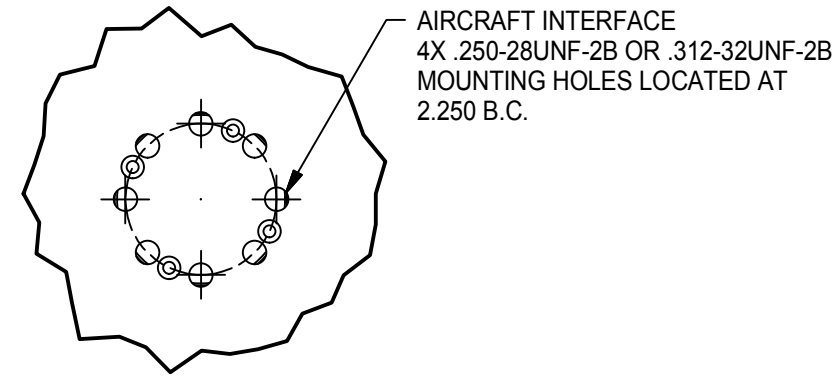
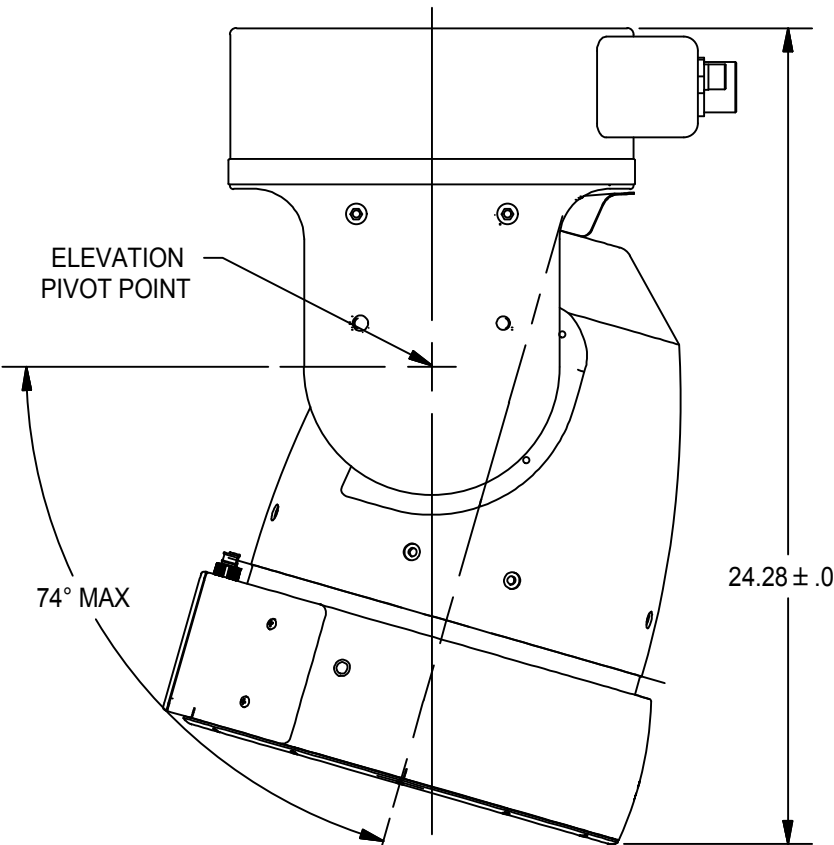
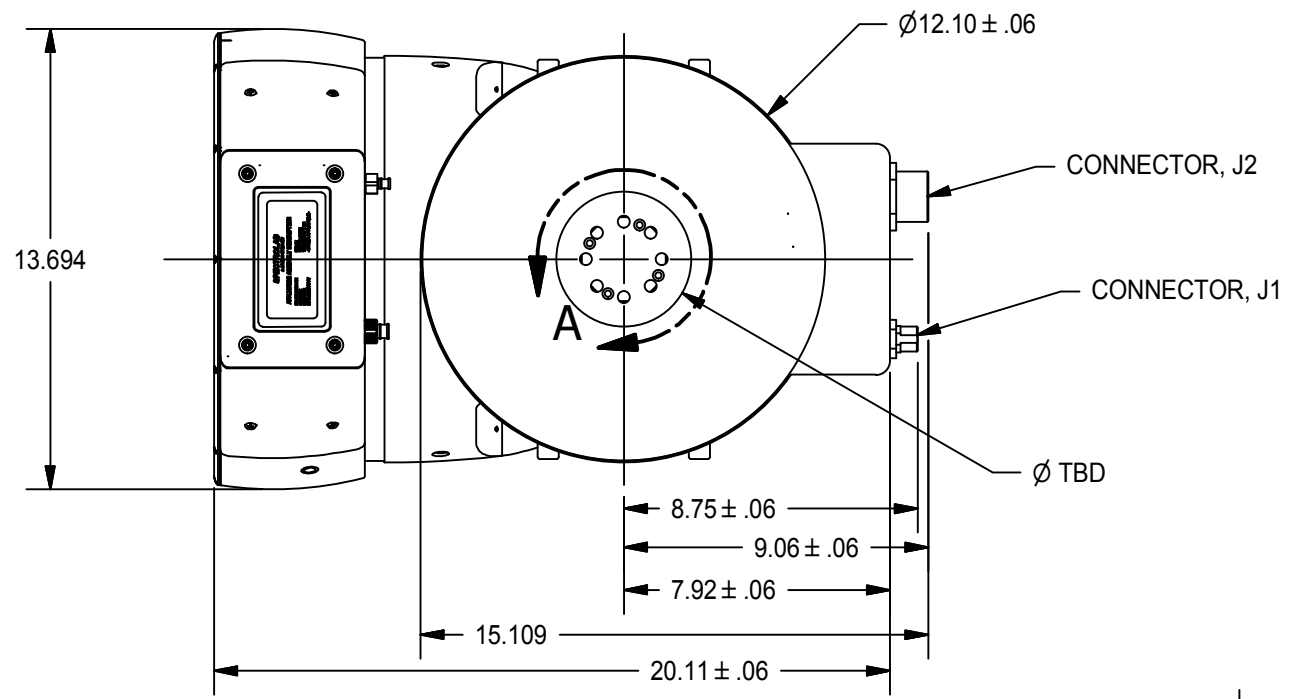


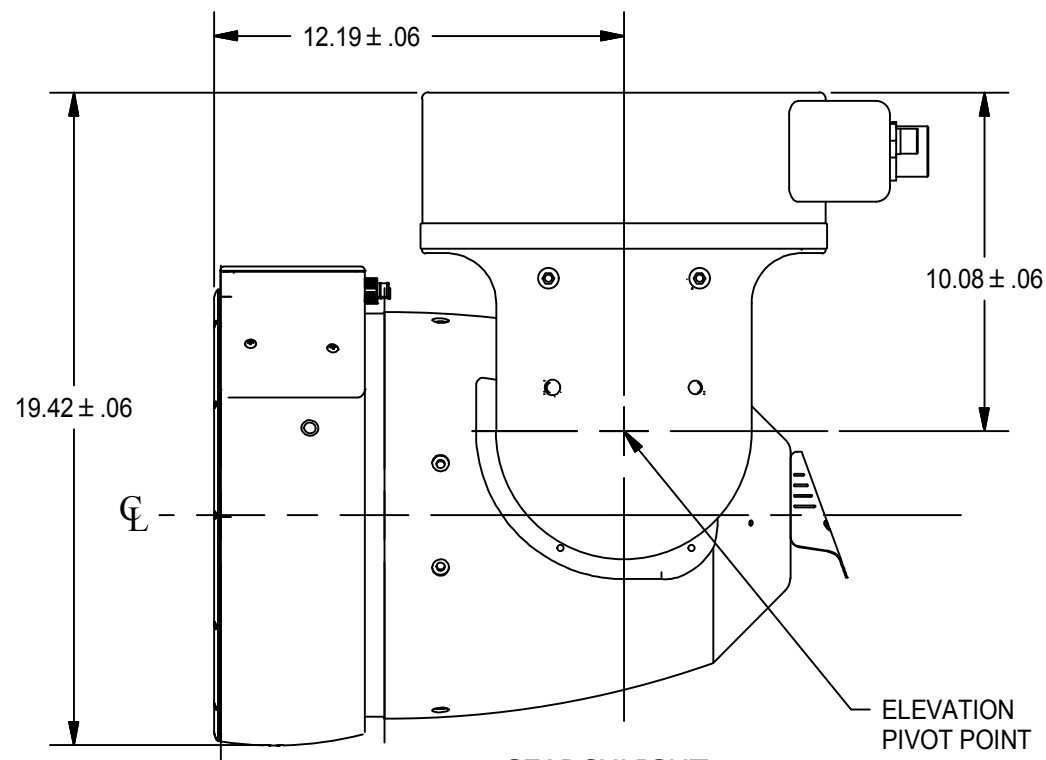
REVISIONS				
REV	DESCRIPTION	BY	DATE	APPROVED
NC	INITIAL RELEASE	AC	12/17/14	FS



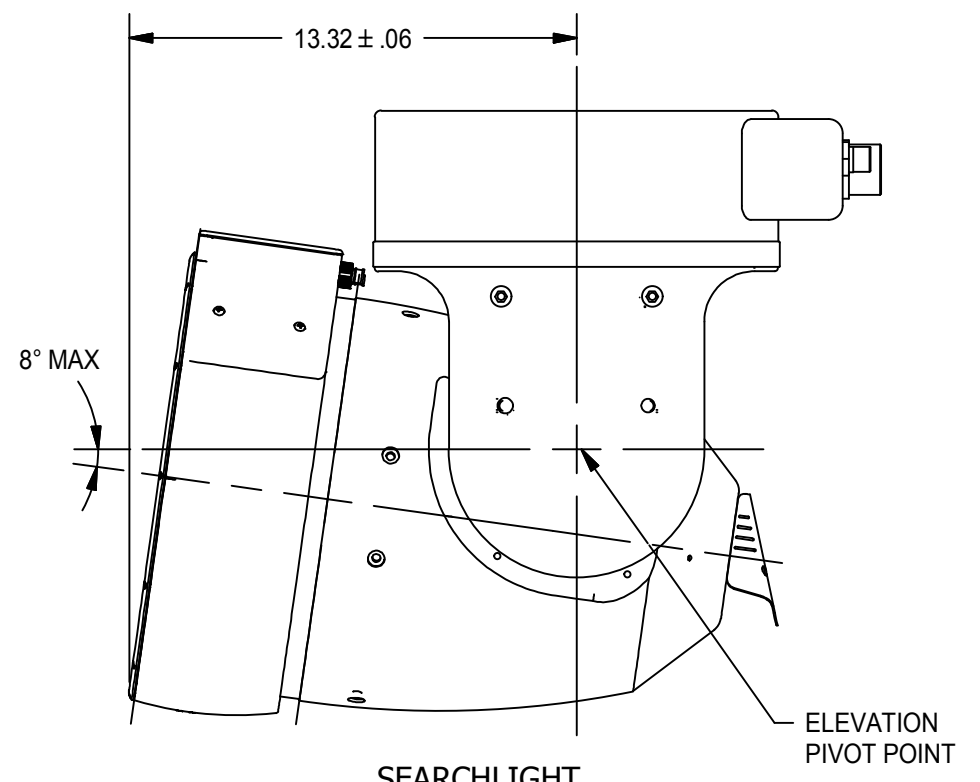
DETAIL A
(MOUNTING BOLT INTERFACE)



SEARCHLIGHT
MAX DOWN POSITION



SEARCHLIGHT
HORIZONTAL POSITION



SEARCHLIGHT
MAX UP POSITION

N/A

UNLESS OTHERWISE SPECIFIED
DRAWING PRACTICES PER ASME
Y 14.5-2009, Y14.41-2012, AS APPLIED.
DIMENSIONS ARE IN INCHES.
BREAK ALL SHARP EDGES X .01 - .03.
REMOVE ALL BURRS.
SURFACE FINISH .125 ✓

DIM & GD&T TOLERANCES		
LINEAR	INCH	METRIC
X =	± .1	±
XX =	± .03	±
XXX =	± .005	±
XXXX =	± .0005	±
ANGULAR	± .5 DEG	CONV F = 25.4

DO NOT SCALE PRINT

DRAWN BY: A. CARO
CHECKER: S. Vargas
DESIGN ENGINEER: N/A
PROJECT ENGINEER: N/A
PROCESS ENGINEER: N/A
MFG ENGINEER: N/A
Q.A.: D. Ricks

DATE: 12/10/2014
DATE: 12/15/14
DATE: N/A
DATE: N/A
DATE: 2/7/2014
DATE: N/A
DATE: 12/16/14

SPECTROLAB 12500 GLADSTONE AVE., SYLMAR, CA. 91342-5373
A BOEING COMPANY

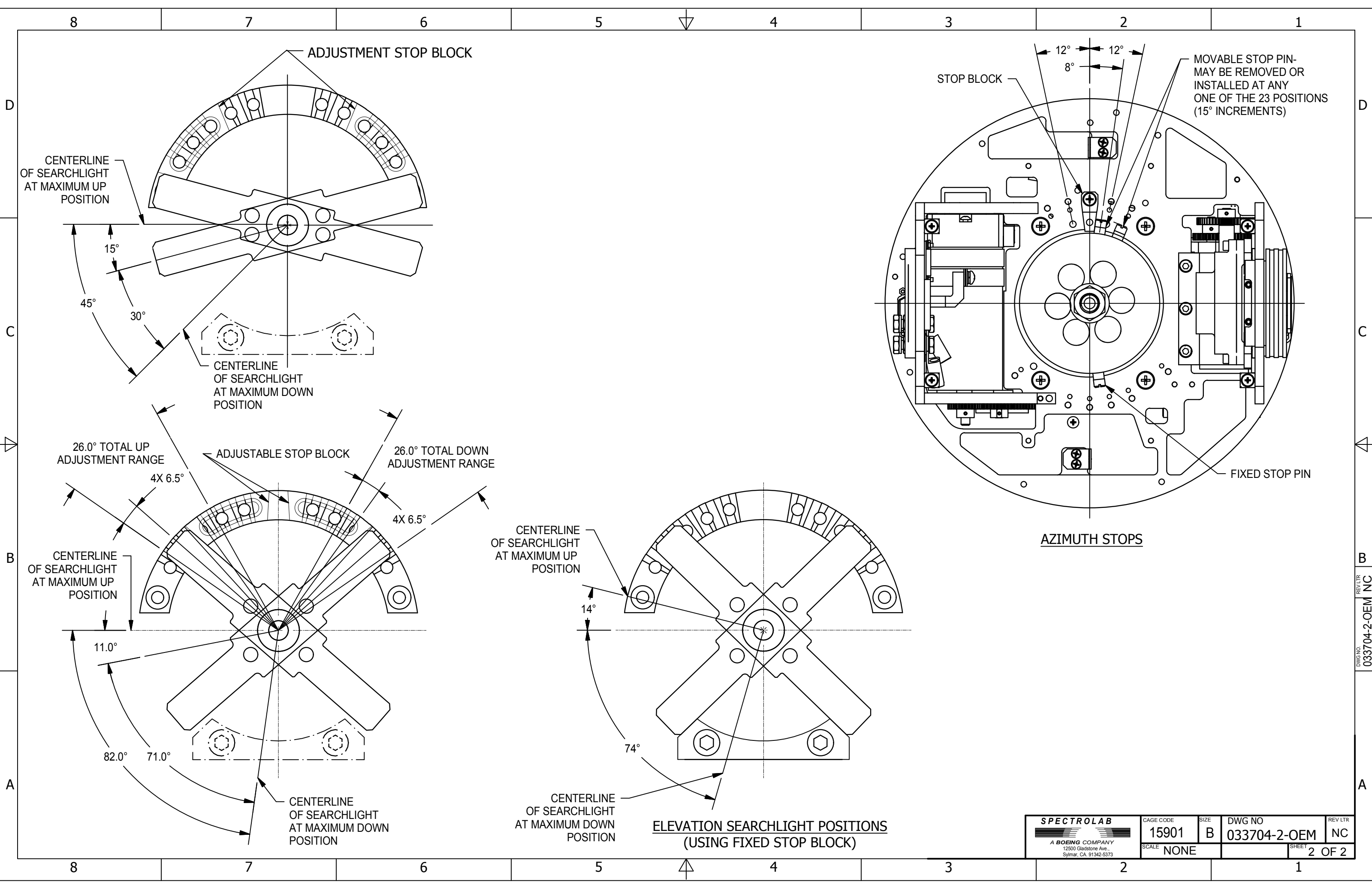
DWG TITLE
NIGHTSUN XP IR LED SEARCHLIGHT & GIMBAL ASSY OUTLINE & MOUNTING

SIZE	CAGE CODE	DWG NO	REV
B	15901	033704-2-OEM	NC
SCALE	WEIGHT	SHEET	
NONE	N/A	1 OF 2	

NEXT ASSY	USED ON
APPLICATION	

REV: NC
DWG NO: 033704-2-OEM

A



ADJUSTMENT STOP BLOCK

CENTERLINE OF SEARCHLIGHT AT MAXIMUM UP POSITION

CENTERLINE OF SEARCHLIGHT AT MAXIMUM DOWN POSITION

26.0° TOTAL UP ADJUSTMENT RANGE

26.0° TOTAL DOWN ADJUSTMENT RANGE

ADJUSTABLE STOP BLOCK

CENTERLINE OF SEARCHLIGHT AT MAXIMUM UP POSITION

CENTERLINE OF SEARCHLIGHT AT MAXIMUM DOWN POSITION

CENTERLINE OF SEARCHLIGHT AT MAXIMUM UP POSITION

CENTERLINE OF SEARCHLIGHT AT MAXIMUM DOWN POSITION

ELEVATION SEARCHLIGHT POSITIONS (USING FIXED STOP BLOCK)

STOP BLOCK

MOVABLE STOP PIN- MAY BE REMOVED OR INSTALLED AT ANY ONE OF THE 23 POSITIONS (15° INCREMENTS)

AZIMUTH STOPS

FIXED STOP PIN

SPECTROLAB <small>A BOEING COMPANY</small> <small>12500 Gladstone Ave., Sylmar, CA. 91342-5373</small>	CAGE CODE	SIZE	DWG NO	REV LTR
	15901	B	033704-2-OEM	NC
SCALE		SHEET		
NONE		2 OF 2		

DWG NO. 033704-2-OEM NC
 REV LTR